

If this page is not signed and included with your bid, it will be disqualified.

Form BO2

Date: September 7, 2018

**CITY OF SAGINAW PURCHASING OFFICE
1315 S. WASHINGTON AVENUE
SAGINAW, MICHIGAN 48601**

**TO: PROSPECTIVE BIDDERS
SUBJECT: ADDENDUM #3 C-1643 OJIBWAY ISLAND PARK IMPROVEMENTS TF-0098**

**Information disclosed and/or questions raised since issuance of documents to bidders requires that a change be made in the subject bid as shown on this form:
CHANGES:**

- No.) 1 Replace the following with the revised page attached
Page 304 of 314 – Sheet C7
- No.) 2 Fence picket is 3/4” as per specification and drawing

Communications concerning this Bid shall be addressed to: **Questions to be directed to Bruce Caradine at (989) 759-1675 or Beth London (989) 759-1413**

NOTE: SIGN ADDENDUM AND SUBMIT SAME WITH BID.

I _____ certify that I have read this ADDENDUM and that the bid, as submitted, reflects the changes described in this addendum.

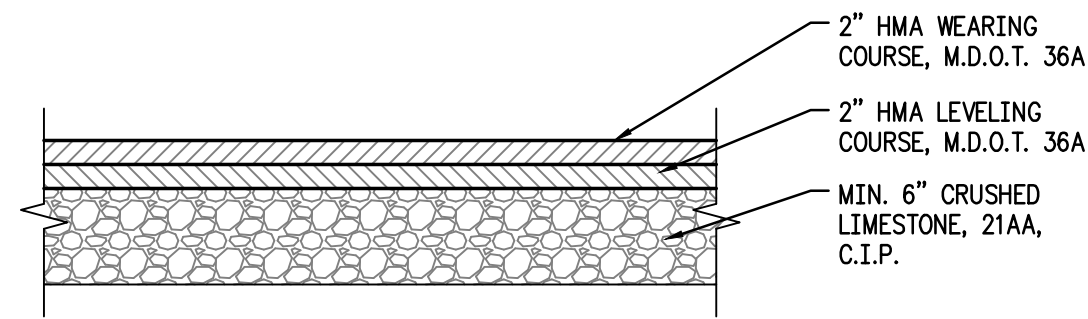
(Company's Name)

(Address)

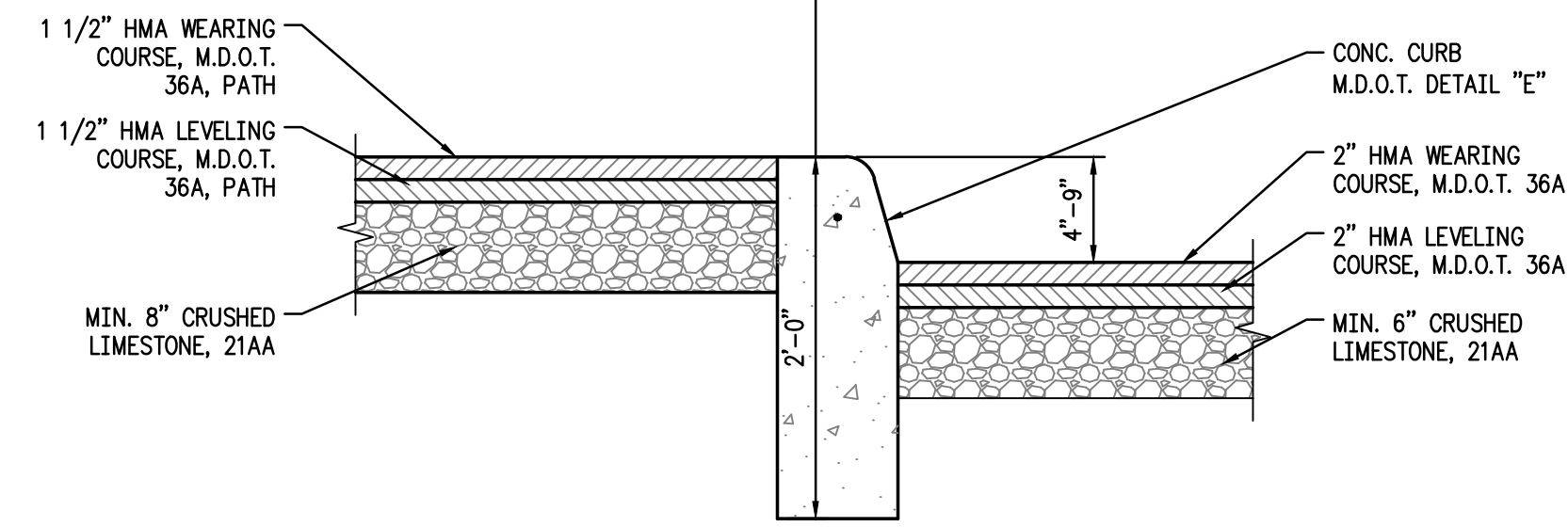
(Signature)

(Title)

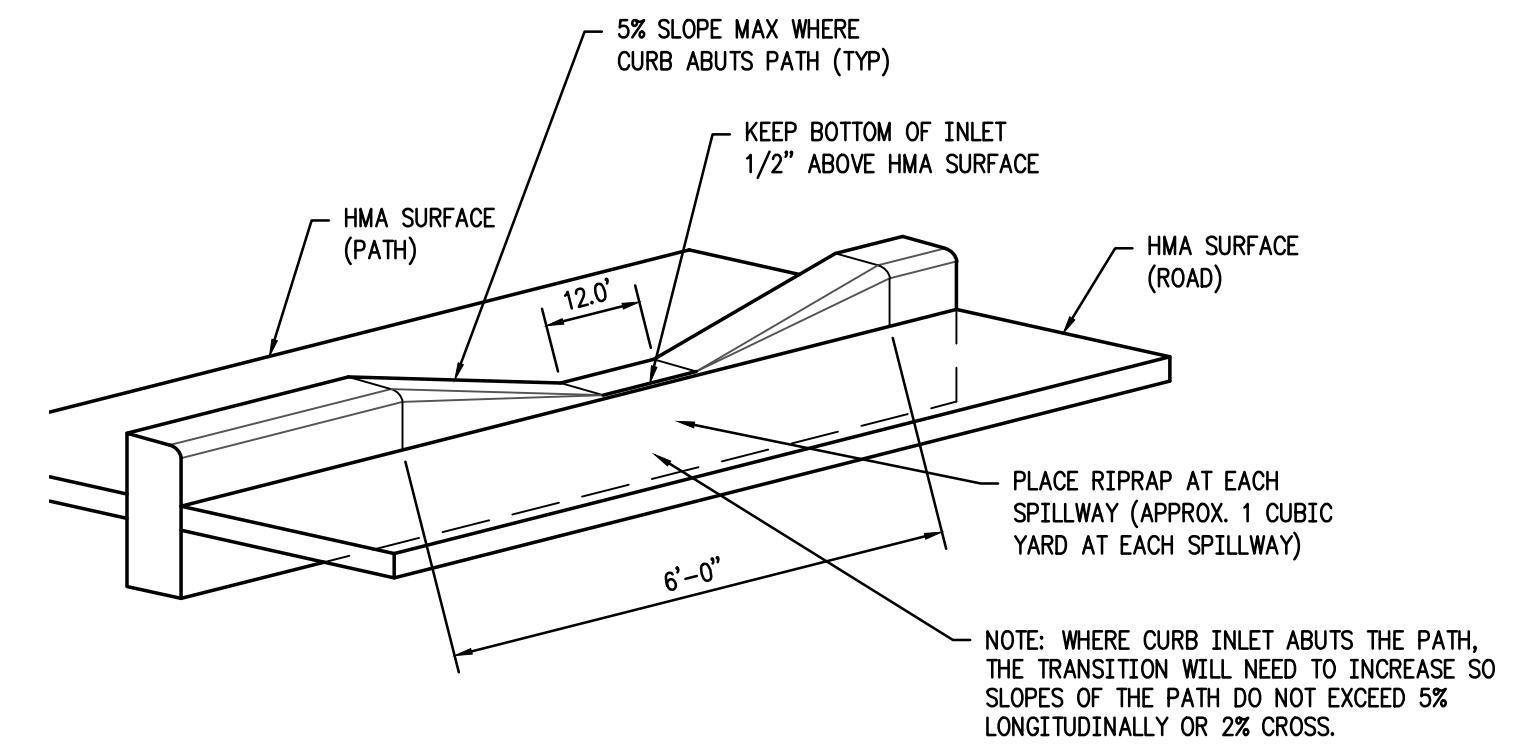
Bidder shall sign Addendum and submit it with bid.



TYP. HMA PAVEMENT REPAIR DETAIL

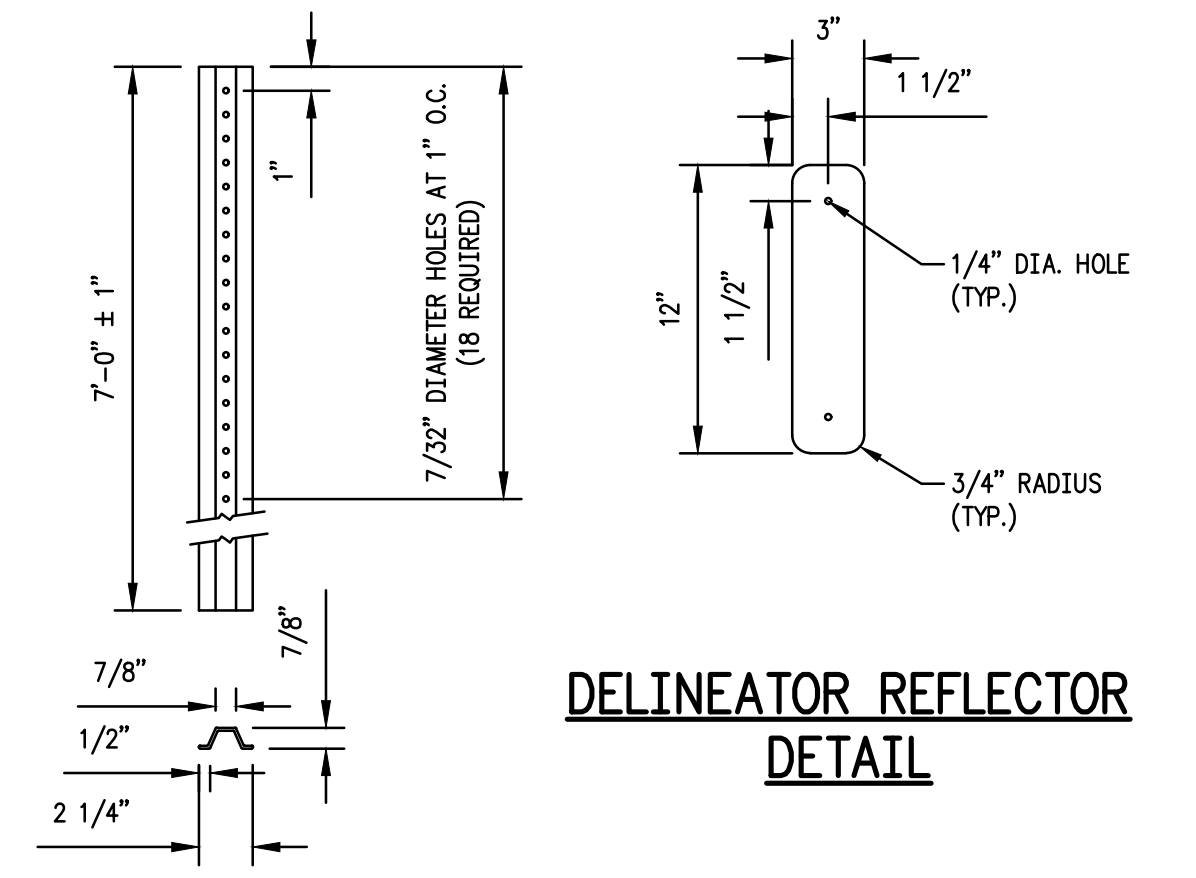


STANDING CONCRETE CURB DETAIL



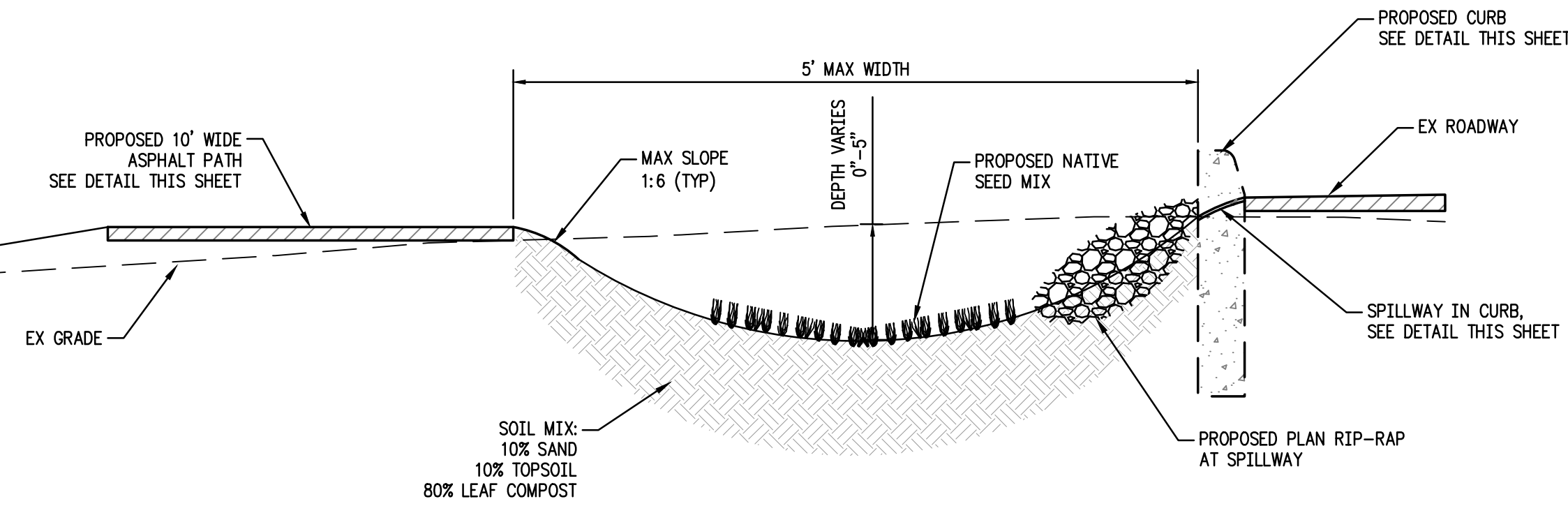
CURB INLET DETAIL

NOT TO SCALE



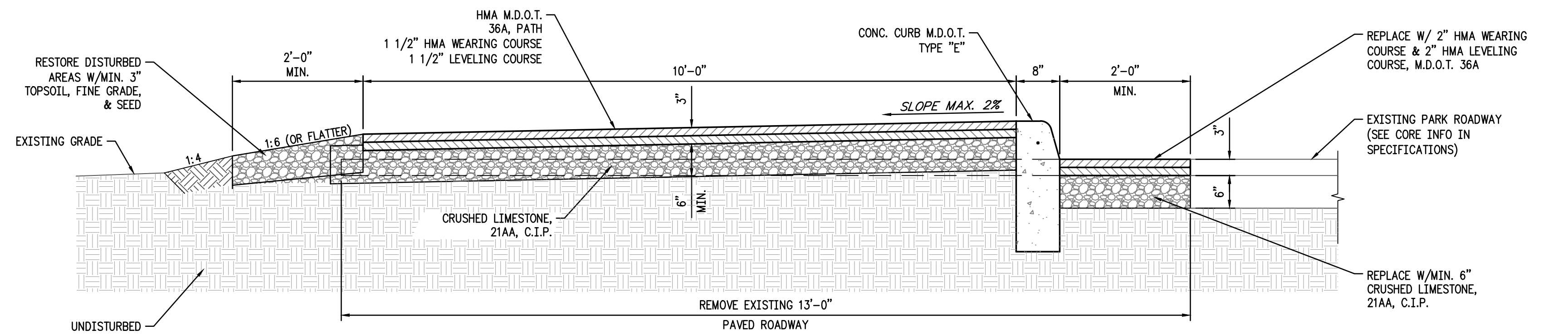
RIGID STEEL POST DETAIL

DELINEATOR REFLECTOR DETAIL



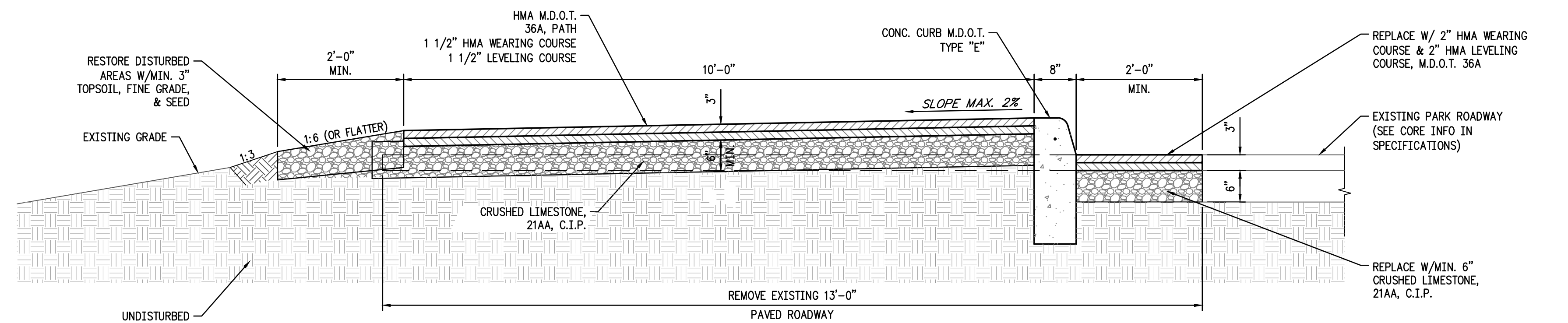
RAIN GARDEN DETAIL

STA 12+37.6 TO STA 13+81.6
STA 19+40.0 TO STA 21+65.4



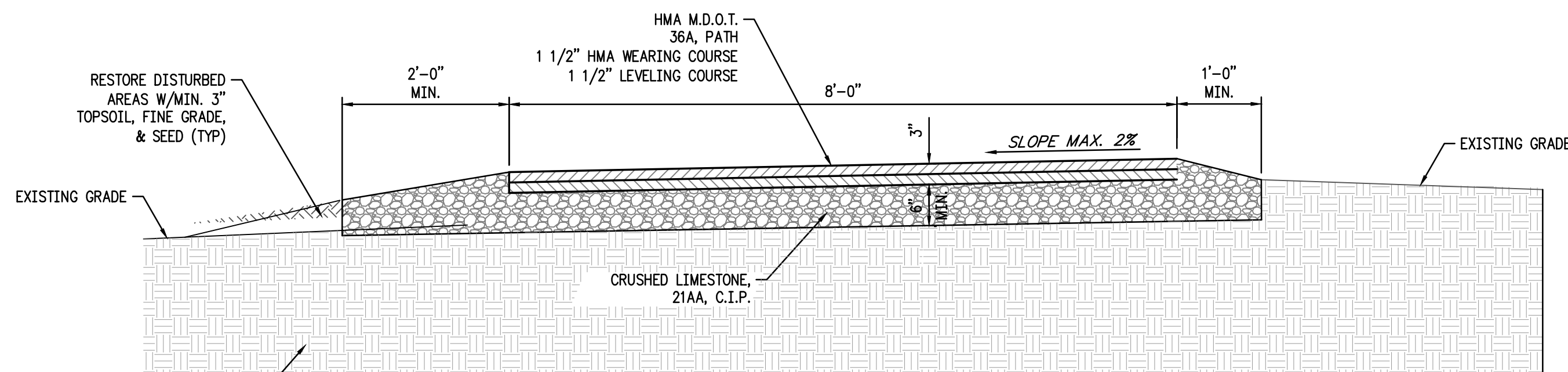
TYP. PATH AT CURB SECTION

STA 9+72.6 (POB) TO STA 16+00.0
STA 16+25.0 TO STA 22+66.2



TYP. PATH AT CURB SECTION

STA 16+00.0 TO STA 16+25.0



ALTERNATE PATH PAVING DETAIL

STA 22+66.2 TO STA 23+91.1 (POE)

<p>CITY OF SAGINAW DEPARTMENT OF PUBLIC SERVICES -ENGINEERING DIVISION-</p>			
<p>SITE DETAILS OJIBWAY ISLAND PARK IMPROVEMENTS SHEET C7</p>			
DESIGNED BY: TMM	CHECKED BY: TMM	APPROVED BY: RRE	CONSTRUCTED DATE OF PLAN: FEBRUARY, 2018
DRAWN BY: OMS	SCALE: AS SHOWN	SHEET: 8 OF 18 SHEETS	REVISION: _____ DATE / INITIALS
CONTROL SECTION:	JOB NO.:	FED. PROJECT:	FED. ITEM NO.:
PLOT DATE: September 7, 2018			