

**If this page is not signed and included with your bid, it will be disqualified.**

Form BO2

Date: September 5, 2018

**CITY OF SAGINAW PURCHASING OFFICE  
1315 S. WASHINGTON AVENUE  
SAGINAW, MICHIGAN 48601**

**TO: PROSPECTIVE BIDDERS  
SUBJECT: ADDENDUM #2 C-1643 OJIBWAY ISLAND PARK IMPROVEMENTS TF-0098**

**Information disclosed and/or questions raised since issuance of documents to bidders requires that a change be made in the subject bid as shown on this form:  
CHANGES:**

- No. ) 1    Replace the following with the revised pages attached  
          Page 303 of 314 – Sheet C6  
          Page 314 of 314 – Sheet B2**

Communications concerning this Bid shall be addressed to: **Questions to be directed to Bruce Caradine at (989) 759-1675 or Beth London (989) 759-1413**

**NOTE: SIGN ADDENDUM AND SUBMIT SAME WITH BID.**

**I \_\_\_\_\_ certify that I have read this ADDENDUM and that the bid, as submitted, reflects the changes described in this addendum.**

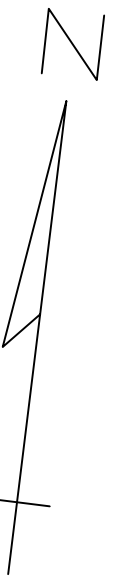
\_\_\_\_\_  
**(Company's Name)**

\_\_\_\_\_  
**(Address)**

\_\_\_\_\_  
**(Signature)**

\_\_\_\_\_  
**(Title)**

**Bidder shall sign Addendum and submit it with bid.**



**CITY OF SAGINAW**  
 DEPARTMENT OF PUBLIC SERVICES  
 -ENGINEERING DIVISION-

**PLAN & PROFILE SHEET**  
**OJIBWAY ISLAND PARK IMPROVEMENTS**  
 C6

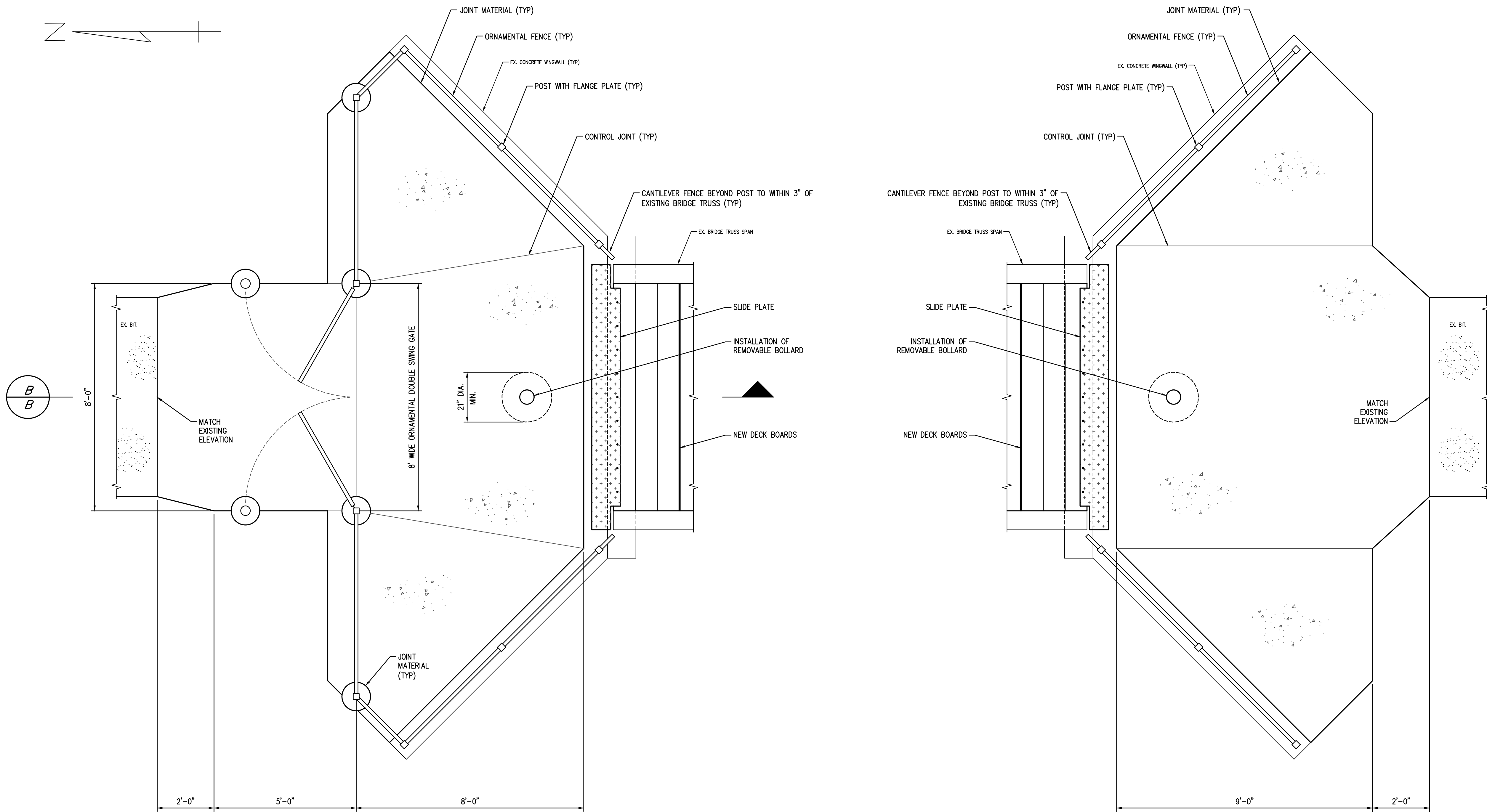
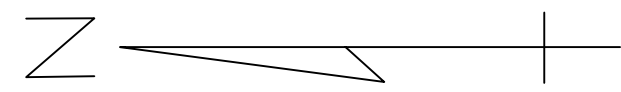
DESIGNED BY: JAA	CONSTRUCTED: _____
DRAWN BY: OMS	DATE OF PLAN: MAY, 2018
CHECKED BY: TMM	SCALE: 1" = 40'
APPROVED BY: RRE	SHEET 7 OF 18 SHEETS

REVISION:	DATE / INITIALS

CONTROL SECTION:	JOB NO.:	FED. PROJECT:	FED. ITEM NO.:

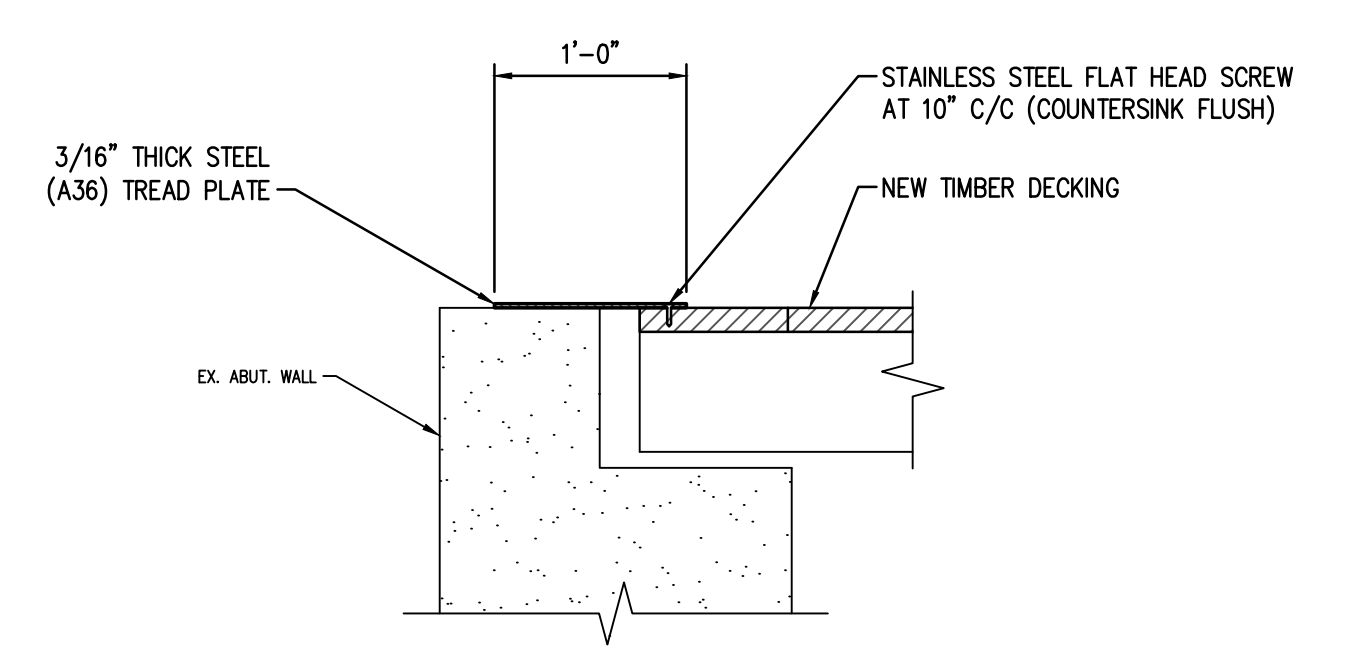
PLOT DATE: September 5, 2018

PROJECT NAME: OJIBWAY ISLAND PARK IMPROVEMENTS  
 DRAWING PATH: Q:\PROJ2016\124228562016-OJIBWAY ISLAND PARK IMPROVEMENTS\CAD\_GS\C3017  
 JOB NO.: 124228562016  
 FED. PROJ.:  
 FED. ITEM NO.:

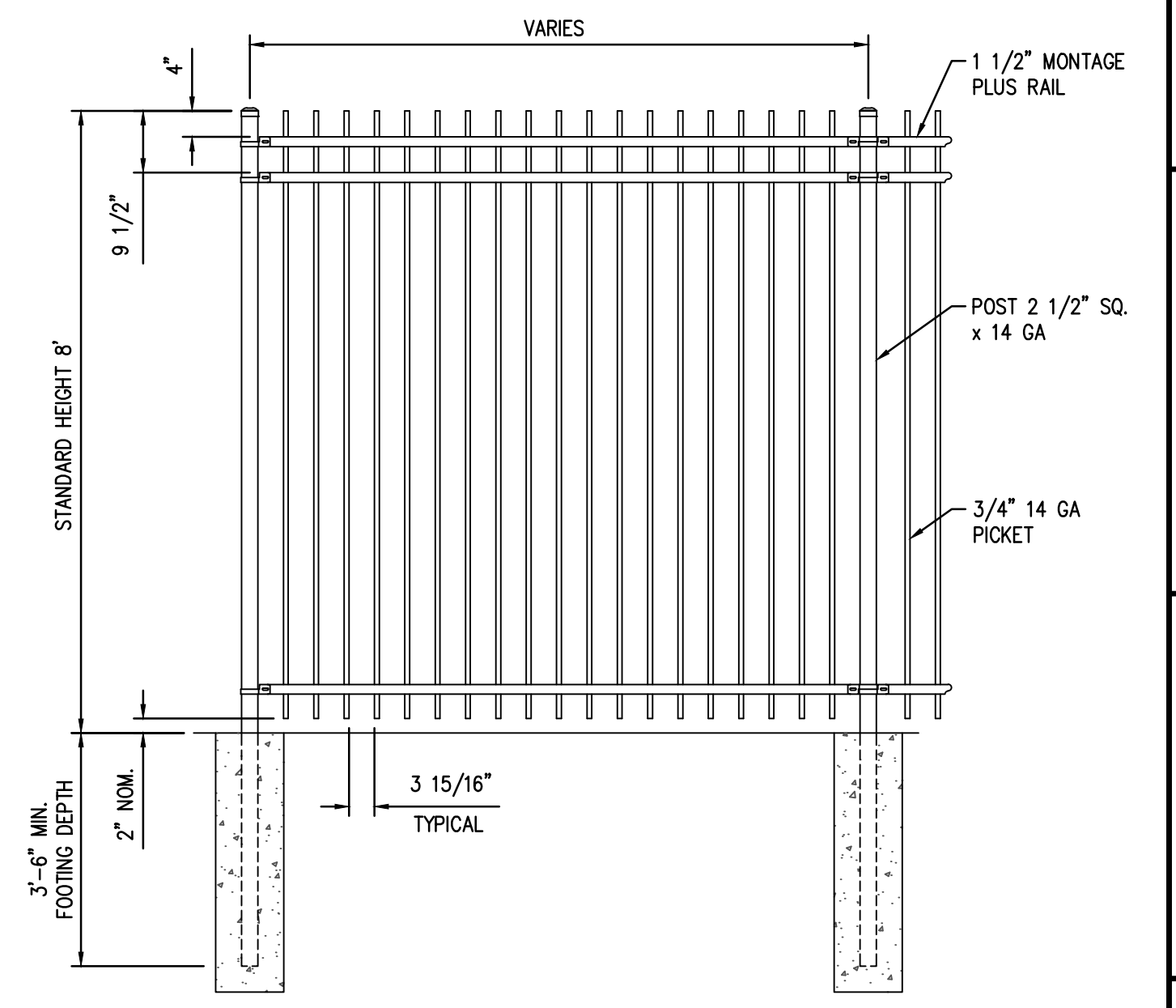


**NORTH APPROACH PLAN VIEW  
CONSTRUCTION DETAILS**  
SCALE: NO SCALE

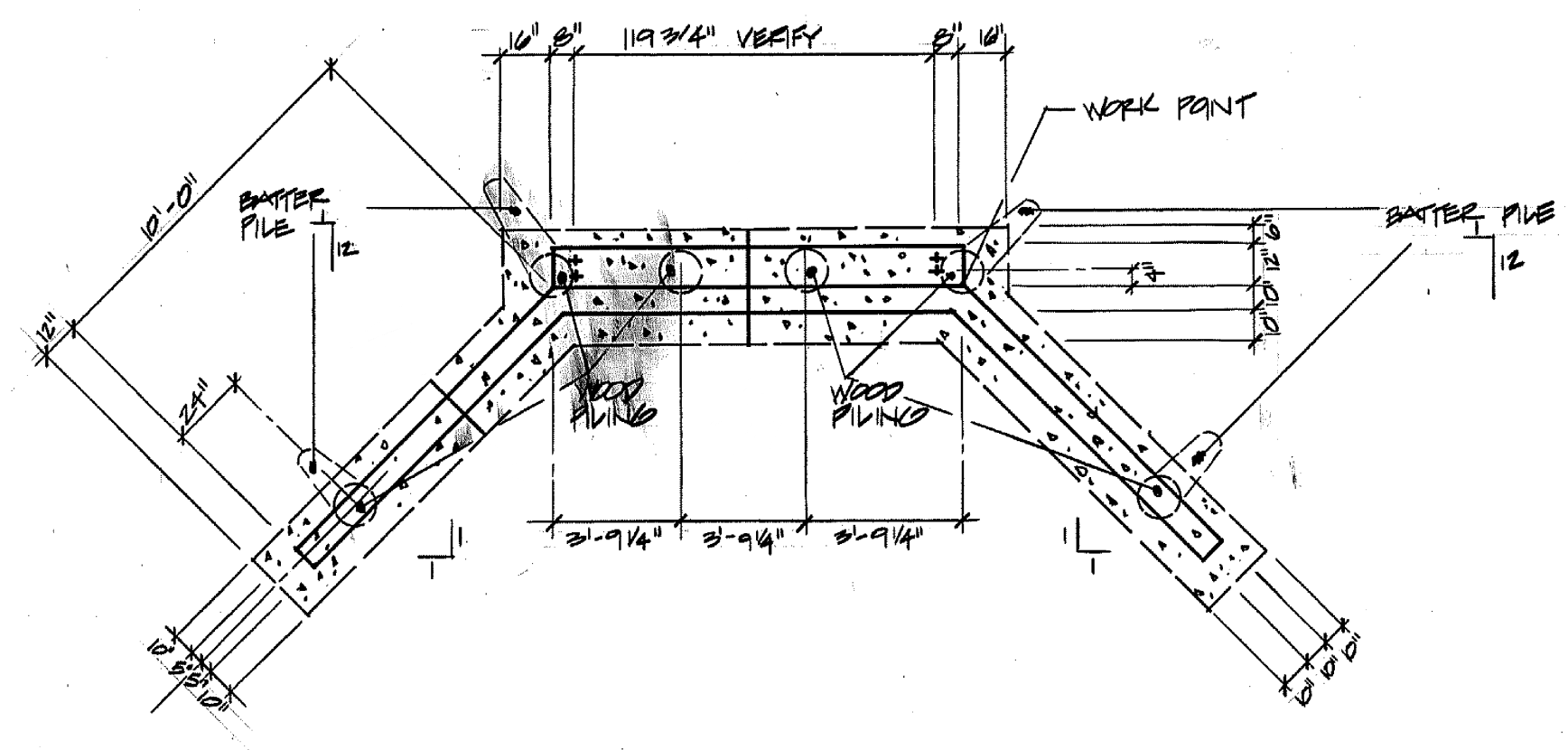
**SOUTH APPROACH PLAN VIEW  
CONSTRUCTION DETAILS**  
SCALE: NO SCALE



**SLIDE PLATE DETAILS**  
SCALE: NO SCALE  
SANDBLAST SLIDE PLATE TO NEAR WHITE, PRIME AND PAINT BLACK WITH AN APPROVED EPOXY PAINT SYSTEM

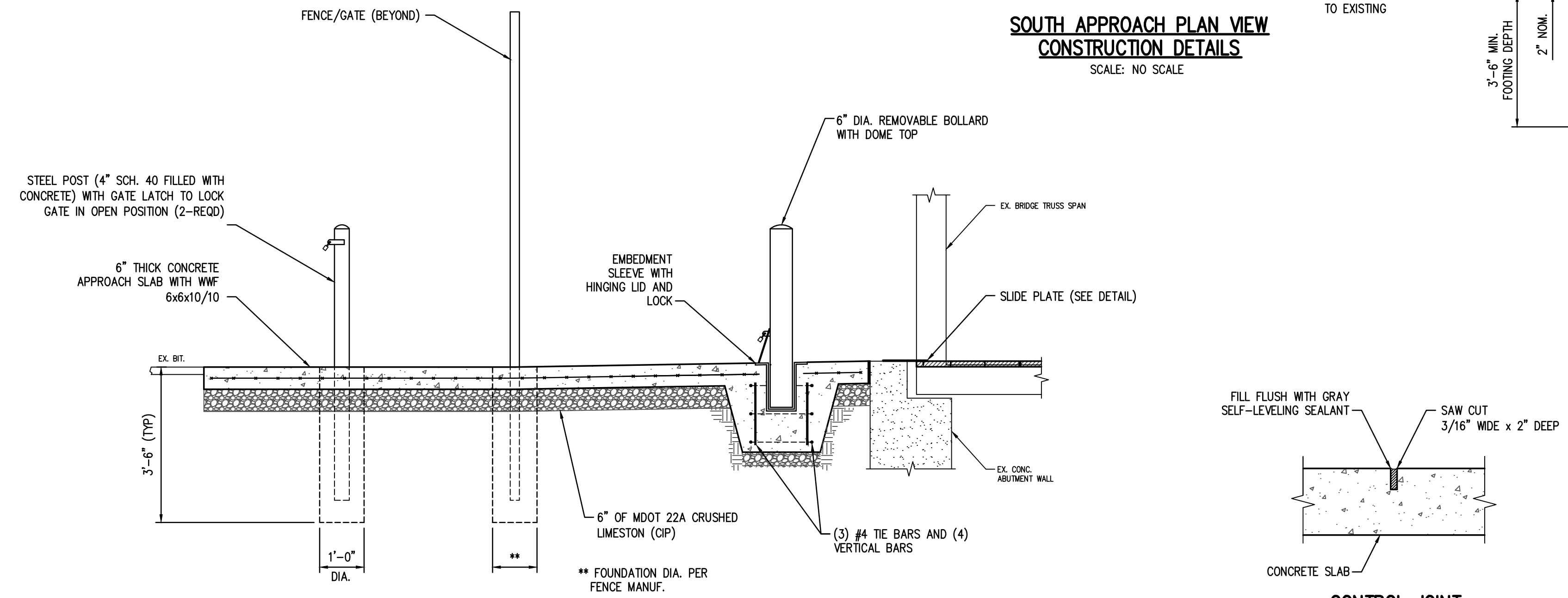


**TYPICAL ORNAMENTAL FENCE ELEVATION**  
SCALE: NO SCALE

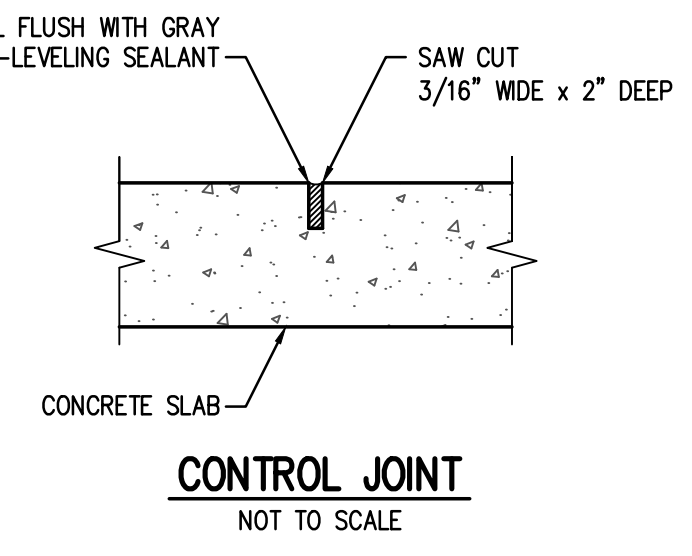


**EXISTING ABUTMENT LAYOUT**  
SCALE: NO SCALE

**NOTE:**  
ORIGINAL DRAWING PREPARED IN 1986. MODIFICATIONS MAY HAVE BEEN MADE SINCE THIS DRAWING WAS PRODUCED. DRAWING IS FOR REFERENCE ONLY. CONTRACTOR SHALL FIELD VERIFY ALL CONDITIONS.



**NORTH APPROACH - PLAN VIEW**  
SCALE: NO SCALE  
DETAILS ARE SIMILAR AT SOUTH APPROACH



**CONTROL JOINT**  
NOT TO SCALE

**CITY OF SAGINAW**  
DEPARTMENT OF PUBLIC SERVICES  
-ENGINEERING DIVISION-

**EXISTING PEDESTRIAN BRIDGE REHABILITATION DETAILS  
OJIBWAY ISLAND PARK IMPROVEMENTS  
SHEET B2**

DESIGNED BY: JSY	CONSTRUCTED: FEBRUARY, 2018
DRAWN BY: KMT	DATE OF PLAN: AS SHOWN
CHECKED BY: JSY	SCALE: 18 OF 18 SHEETS
APPROVED BY: RRE	SHEET: 18 OF 18 SHEETS
REVISION: _____	DATE / INITIALS: _____

CONTROL SECTION:	JOB NO.:	FED. PROJECT:	FED. ITEM NO.:
------------------	----------	---------------	----------------

PLOT DATE: September 5, 2018

DRAWING PATH: Q:\PROJ2016\12422852016-OJIBWAY ISLAND PARK IMPROVEMENTS\CAD\GIS\C3D17  
JOB NO.:  
FED. PROJ.:  
FED. ITEM NO.: